

NEW!

SHUTTLE HEAT PRESS

This Ultra-Durable Shuttle Press

- * Reduces Labor Costs
- * Increases Productivity Up To 70%



Features:

- Includes Advanced Touch Screen Technology With Simultaneous Displays And Multiple Presets
- Even Heat & Pressure Distribution
- Dual Quick-Change 16" x 20" (40cm x 50cm) Platens
- Robust Frame
- User-Friendly And Flexible Operations
 - Manual, Semi-Automatic and Fully Automatic Modes
- Automatic Shuttle Between Platens
 - Great For Transfer Applications And Pretreatment Drying
- Optional Foot Pedal Control
- ETL Approved
- Warranty: One Year Parts, 90-day Labor, Ten Years on the Upper Heating Elements

INSTA
INSTA GRAPHIC SYSTEMS

13925 E. 166th Street Cerritos, CA 90703-2431 USA

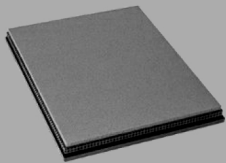
Tel. 562.404.3000 Fax 562.404.3010

sales@instagraph.com - www.instagraph.com

Technical Characteristics

Platen Size	16" x 20" (40cm x 50cm)
Working pressure	From 30 to 110 PSI
Weight	375 Lbs
Max temperature	430°F
Power supply	240 V (single phase + ground)
Electric power	3200 W
Amperage	14 A

Accessories



Sponge Plate :
16" x 20" sponge plate to dry pretreated clothes.



Set of 4 Quick Change Platens:
Useful for precise work.
Dimensions:
3" x 4.8" - 6" x 6"
4.8" x 18" - 10" x 12"



Teflon cover:
Heat resistant Teflon cover to protect the lower plate and make the threading easier.

Settings



New user friendly touch screen with pre-set menus!

Menu with adaptive regulation parameters depending on the job: flex, sublimation on textile, sublimation on rigid substrates, and DTG transfers

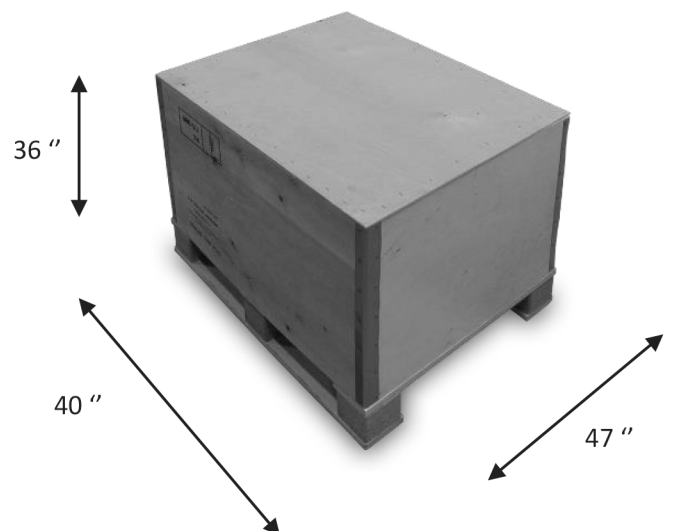
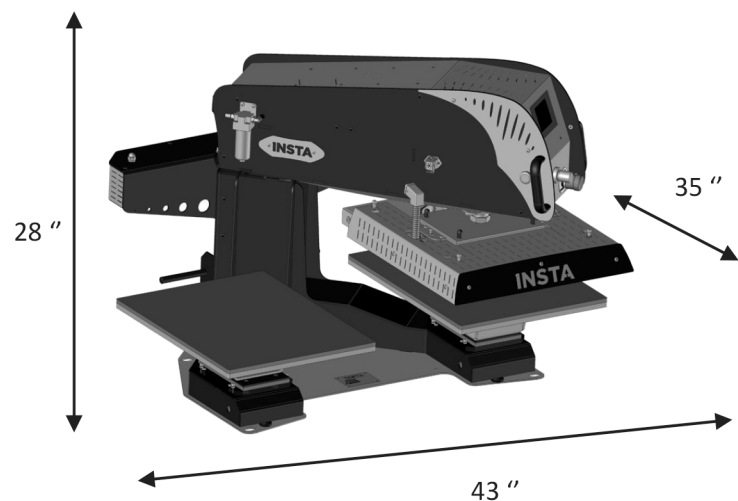
Advanced electronics

- Save up to 5 programs
- Independent time for each plate
- Double timer (main + pre-heat)
- Cycle counters
- Stop cycle function

From 0 to 600 sec (precision +/- 1%).

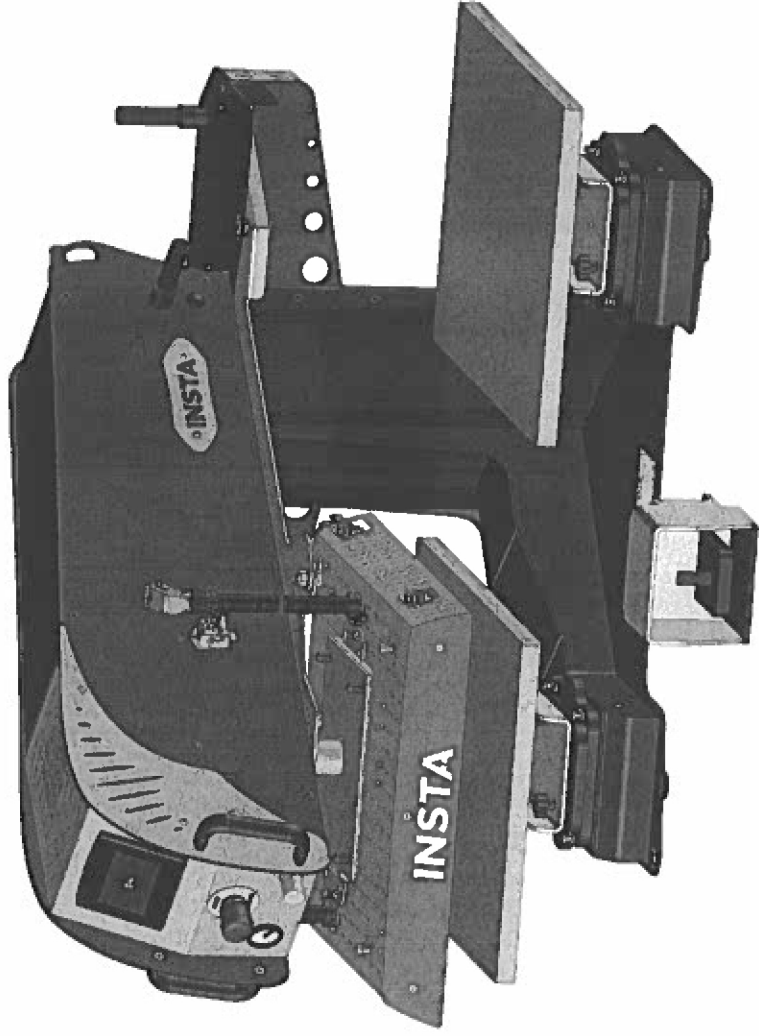
Up to 430°F (precision +/- 1%).

Dimensions



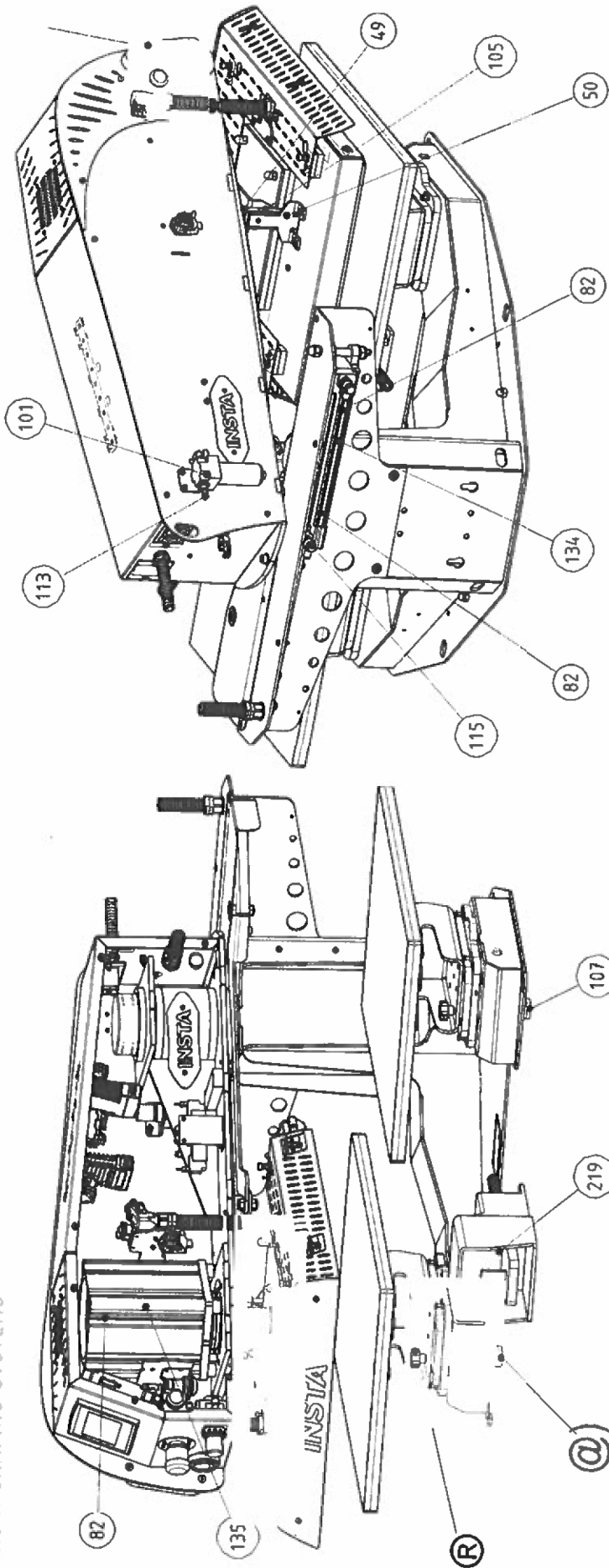
Insta 780 Dual Shuttle

SPARE PARTS LIST

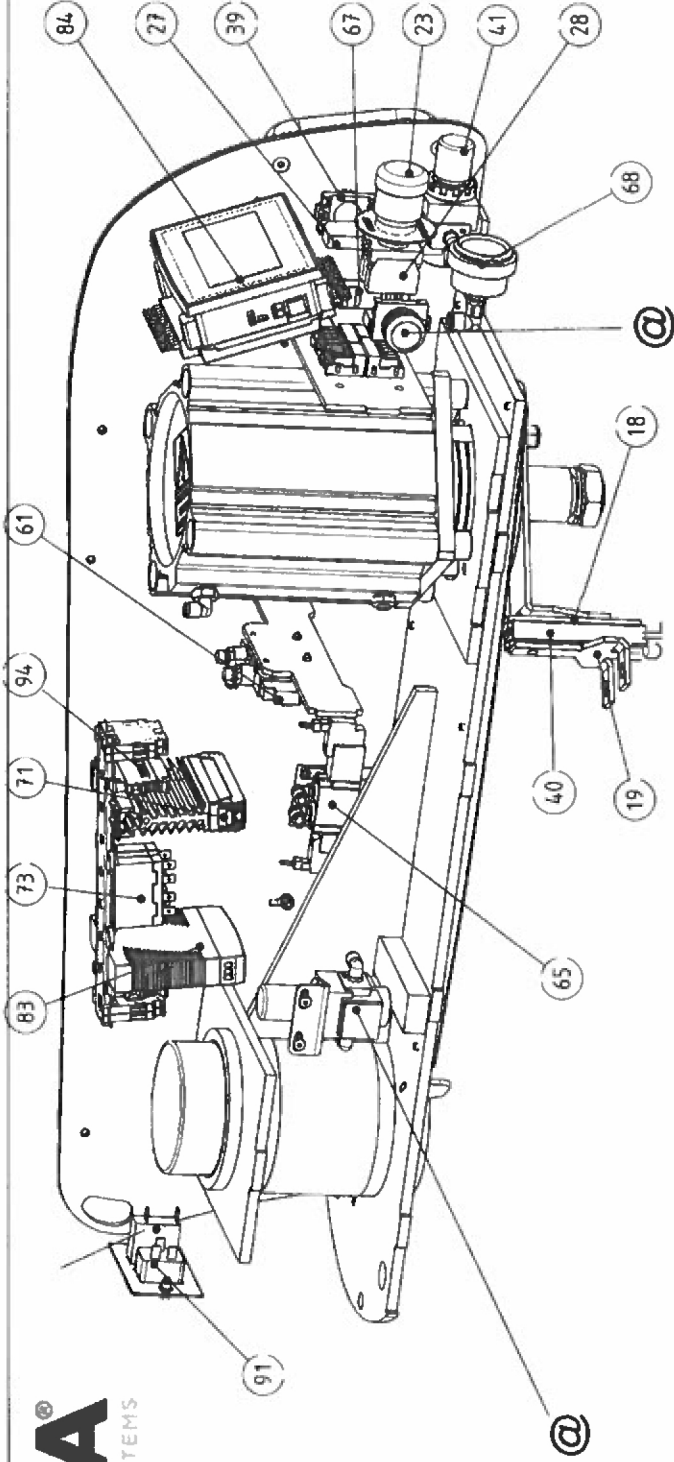


13925 E. 166th Street
Cerritos, CA 90703-2431, USA
USA Phone Number: 562.404.3000
Toll-Free: 800.421.6971

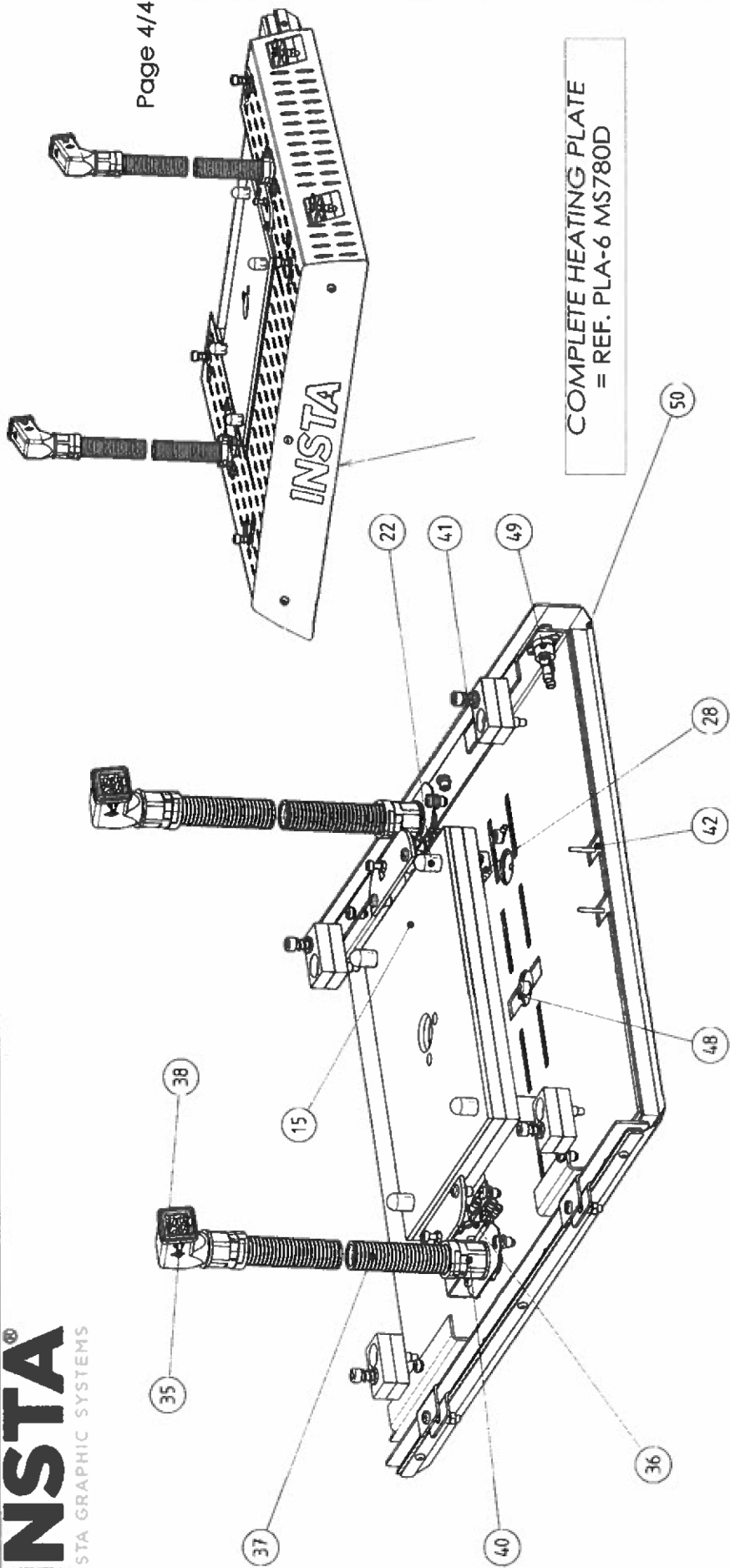
Machine Sales: sales@instagraph.com
Transfer Sales: sales@instagraph.com
Warranty, Repair & Service: service@instagraph.com



NUMBER	INSTA PART #	DESCRIPTION	QTY
219	MP780-PED-279	FOOT PEDAL	1
135	MP780-VER-SM25	CYLINDER 0125 I100	1
134	MP780-VER-SM23	CYLINDER 040 C200	1
115	MP780-REG-190	PRESSURE REGULATOR BANJO	2
113	MP780-RAC-OR11	MALE EUROPEAN CONNECTION	1
108	MP780-POH-M20/117 /M6	BLACK PLASTIC HANDLE M20/117 M6	1
107	MP780-PIE-TE1	RUBBER FOOT 032MM M8-14MM	4
105	MP780-GLI-CH14	SLIDING RAIL L 100	1
101	MP780-FIL-013	FILTER G1/4	1
82	MP780-DET-SM1	MAGNETIC DETECTOR	4
71	MP780-BOU-M6	LOBE BUTTON 35 THREADED M6	4
50	MP780-79M09C	SLIDE BRACKET	1
49	MP780-79M08B	SLIDE SUPPORT	1
		DESCRIPTION	
			QTY



NUMBER	INSTA PART #	DESCRIPTION	QTY
94	MP780-FUS-145	FUSE 2A 5X20 LOW	2
91	MP780-EMB-RA3	MALE SOCKET (20 20 AMPS	1
88	MP780-COU-FA1	CIRCUIT BREAKER 1P 20A	1
84	MP780-AUT-SMA3	PROGRAMMABLE LOGIC CONTROLLER	1
83	MP780-ALI-PL1	POWER SUPPLY 230VAC/24VDC-1A	1
73	MP780-REL-OM8	POWER RELAY 24V	1
71	MP780-REL-GEFRAN	SOLID STATE RELAY SINGLE PHASE 25A 480VAC	1
68	MP780-MAN-104	MANOMETER 040 0-12 BAR	1
67	MP780-BUZ-RA2	COMPACT BUZZER IP40	1
65	MP780-ELE-SM18	ELECTRODISTRIBUTOR 5/3 24VOLTS UL	1
61	MP780-ELE-SM17	ELECTRODISTRIBUTOR 5/2 24 VOLTS UL	1
41	MP780-MIN-O15	MINI PRESSURE REGULATOR	2
40	MP780-GLI-CH14	SLIDING RAIL L 100	1
39	MP780-FIX-EL2	FIXATION FOR BUTTON	3
28	MP780-CON-121	OFF CONNECTION FOR PUSHING BUTTON	2
27	MP780-CON-120	ON CONNECTION FOR PUSHING BUTTON	2
23	MP780-BOU-125	EMERGENCY STOP BUTTON	1
22	MP780-BOU-118	GREEN PUSH BUTTON	2
19	MP780-79M09C	SLIDE BRACKET	1
18	MP780-79M08B	SLIDE SUPPORT	1
	NUMBER	INSTA PART #	DESCRIPTION
			QTY



50	MP780-TOI-4050	BLACK ANTISTATICFLON 13/100	1
49	MP780-THE-UL1	BIMETALLIC SECURITY THERMOSTAT 250°I	1
48	MP780-SON-PT100 3V	SENSOR PT100 GLASS FIBERS	1
42	MP780-RES-500X400-3200W-UL	HEATING ELEMENT 500 X 400 3200 WATTS UL	1
41	MP780-RES-068	COMPRESSION SPRING	4
40	MP780-RAC-EL2	PMAFIX FITTING	4
38	MP780-INS-M-16A	MALE INSERT SP+ T 16A 400V	2
37	MP780-GAI-679	PLASTIC SHEATH	4
36	MP780-FIN-231	MICRO SWITCH WITH TONGUE	2
35	MP780-FI-IJS	ELBOWED OUTLET PLUG	2
28	MP780-DOM-CE1	BIPOLAR PORCELAIN CONNECTING BLOCK	1
22	MP780-CAP-ESA	HEAT RESISTANT SILICONE CAP	4
15	MP780-79007-404	PRESSURE PLATE	1
NUMBER	REFERENCE	DESCRIPTION	QTY